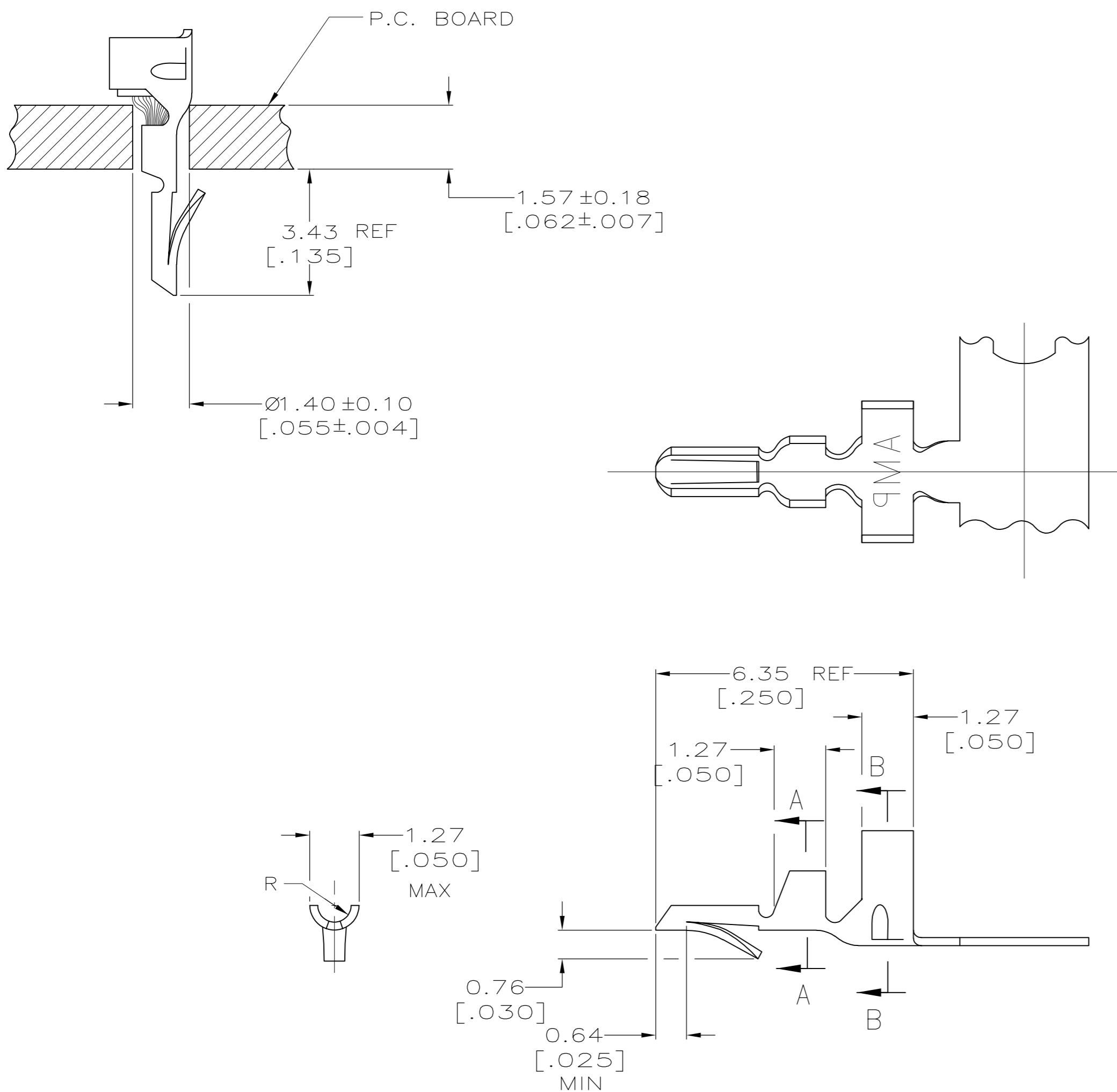
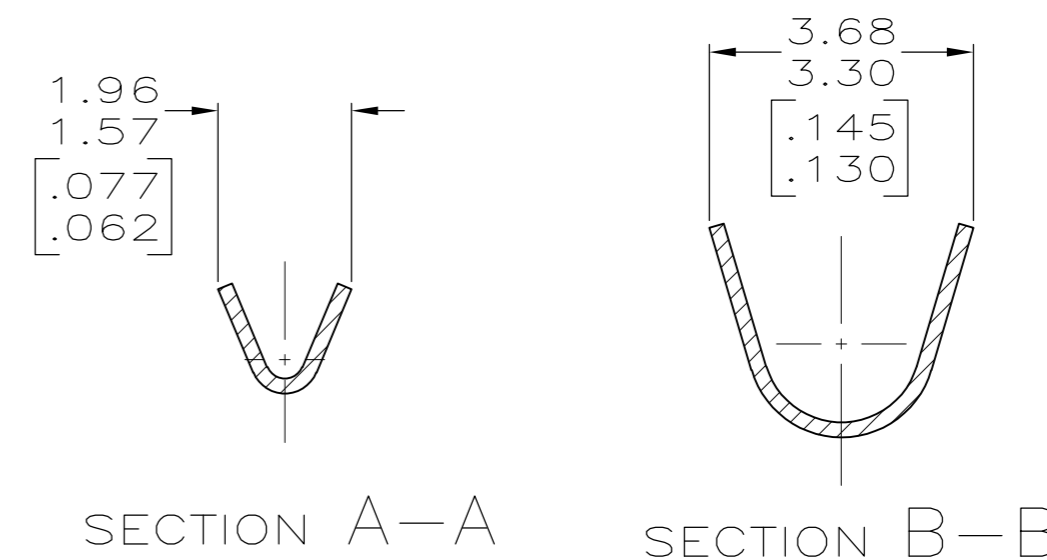


THIS DRAWING IS UNPUBLISHED. RELEASED FOR PUBLICATION
 © COPYRIGHT - By - ALL RIGHTS RESERVED.

LOC		DIST		REVISIONS			
P	LTR	DESCRIPTION		DATE	DWN	APVD	
CM	00	N1	REVISED PER ECO-11-004820	21MAR11	RK	HMR	



- PARTS COMPLY WITH AMP SOLDERABILITY SPEC 109-11-3.
- PARTS CAPABLE OF BEING APPLIED BY AMPOMATOR.
- WIRE RANGE: 0.12-0.4mm² (26-22 AWG).
- INSULATION RANGE: 1.52-2.54 [.060-.100] DIA
- 0.00508 [.000200] MIN BRIGHT TIN-LEAD.
- DIMENSIONS IN BRACKETS ARE IN INCHES.
- 0.00508 [.000200] MIN BRIGHT TIN.



METRIC

7	0.20[.008] PHOS BRONZE	3-640108-1
5	0.20[.008] PHOS BRONZE	640108-1
FINISH	MATERIAL	PART NO.

THIS DRAWING IS A CONTROLLED DOCUMENT.		DWN S. CARPENTER 21AUG2003	TE TE Connectivity	
DIMENSIONS: INCHES		CHK J. ELLIS 21AUG2003		
TOLERANCES UNLESS OTHERWISE SPECIFIED:		APVD J. ELLIS 21AUG2003	NAME MINI AMP-IN	
0 PLC ±		PRODUCT SPEC	APPLICATION SPEC	
1 PLC ±		114-1016	SIZE A2	CAGE CODE 00779
2 PLC ± 0.13 [.005]		WEIGHT	DRAWING NO C-640108	RESTRICTED TO -
3 PLC ±		CUSTOMER DRAWING	SCALE 10:1	SHEET 1 of 1
4 PLC ±			REV N1	
ANGLES ±				
FINISH				
SEE TABLE				